

ONGA®



PANTERA

POOL PUMP



PENTAIR AQUATIC SYSTEMS

WWW.PENTAIRPOOL.COM.AU

PANTERA POOL PUMPS

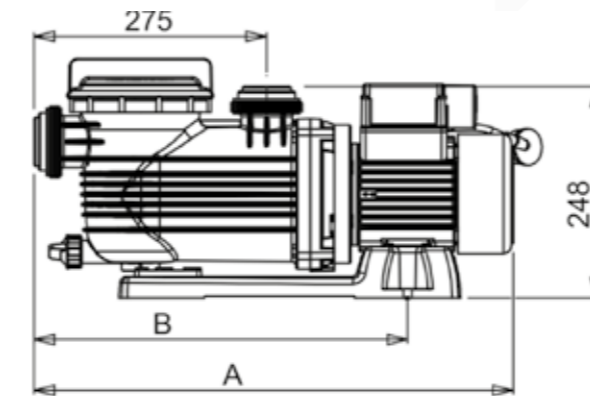
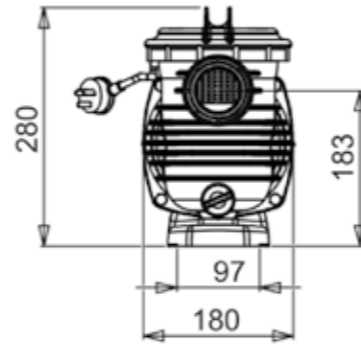
Pantera pumps are high performance pumps with 5 levels of corrosion resistance. With over 30 years experience selling into the pool industry, we know the more protection you give the motor, the better off you are and that's why we build five levels of motor protection into the Pantera range of pool pumps.

FEATURES & BENEFITS

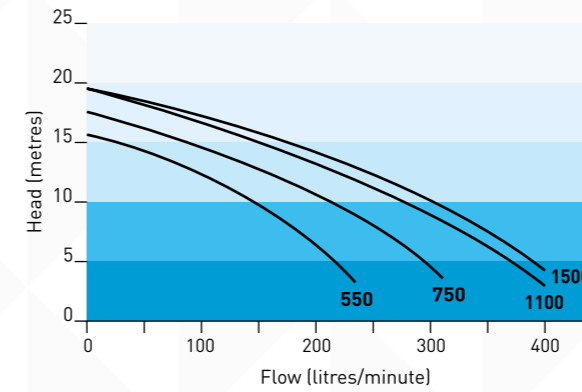
- ▶ 5 levels of corrosion resistance - Standard industry practice to protect pool pump motors from water ingress is normally only on two levels, a mechanical seal and flinger shaft sleeve. With over 30 years experience selling into the pool industry, we know the more protection you give the motor, the better off you are and that's why we build 5 levels of motor protection into the Pantera range pool pumps.
- ▶ Elevated motor foot - Incorporating an elevated mount into the pump design keeps moisture well away from the motor.
- ▶ Shaft Sleeve - A nylon shaft sleeve incorporating a flinger, adds additional water ingress protection.
- ▶ Mechanical Seal - A heavy-duty 3/4" 316 Stainless Steel mechanical seal (on all models) provides extended life and longer intervals between servicing.
- ▶ Plastic Yoke and Lip-Seal - The wet end design integrates a moulded end-shield cover and lip seal, protecting the motor from water damage.
- ▶ Self aligning barrel unions (40mm/50mm) included.

DIMENSIONS

Pump Model	A (mm)	B (mm)
PPP-550-1P	565	428
PPP-750-1P	565	428
PPP-1100-1P	602	465
PPP-1500-1P	602	465



PUMP PERFORMANCE CHART



MOTOR

Type:	TEFC 2 pole continuously rated
Nominal speed:	2800rpm
IP rating:	IPX5
Insulation class:	Class F
Thermal overload:	On-winding auto reset
Frequency:	50Hz
Voltage:	230-240V
Bearing type:	Deep groove ball bearing with double contact lip seal

MODEL DATA

Pump Model	Motor Kw Nominal	Supply Voltage	Phase	Full Load Current	Locked Rotor Current	Capacitor mfd	Sound Power Level	Supply Cord Length	Net Weight	Packed Weight	Carton Dimensions L x W x H
	kW(hp)			(A)	(A)		dBA*	(m)	(kg)	(kg)	(mm)
PPP-550-1P	0.55(3/4)	230-240V	1	2.9A	17A	20	62	2	12.5	14	660 x 240 x 305
PPP-750-1P	0.75(1)	230-240V	1	3.9A	17A	20	66	2	12.5	14	660 x 240 x 305
PPP-1100-1P	1.0(1 1/4)	230-240V	1	5.0A	21A	25	65	2	13.5	15	660 x 240 x 305
PPP-1500-1P	1.2(1 1/2)	230-240V	1	6.1A	21A	25	66	2	13.5	15	660 x 240 x 305

MATERIALS

Component	Material
Pump casing:	20% Glass filled ABS
Impeller:	20% Glass filled ABS
Baffle:	20% Glass filled ABS
Diffuser:	20% Glass filled ABS
Yoke:	20% Glass filled ABS
Drain cap:	Polypropylene
Shaft sleeve:	Nylon
Motor shaft:	400 series
End shield:	Cast iron
Hair and lint pot O-ring:	Nitrile Teflon
Casing O-ring:	Nitrile
Barrel union O-ring:	Nitrile
Barrel union:	ABS
Hair and lint pot lid:	Polycarbonate
Cord/ plug:	H07RNF 3G 1.0mm
Mechanical seal:	3/4 Carbon Ceramic, Nitrile Bel-lows, 316 ss spring

Extra large hair and lint pot with see through lid

Self aligning barrel unions

Stainless steel motor shaft

Elevated motor foot

Self lubricating lint pot O-ring

Corrosion proof plastic yoke and rubber lip seal



PANTERA®

POOL PUMPS



1 - 21 Monash Drive,
Dandenong South,
VIC 3175
1300 137 344
www.pentairpool.com.au

Unless otherwise indicated, copyright in the content of this document is the property of Pentair Aquatic Systems Australia under Australian copyright law. Unless otherwise indicated, content may not be reproduced or transmitted without our prior written permission.

Pumps / Filters / Heaters / Heat Pumps / Cleaners / Sanitizers / Automation / White Goods / Water Features / Maintenance Products

L300034